

NO: 24-24-99

SUBJECT: Heater A/C system changes to defrost mode when accelerating

DATE: Nov. 12, 1999

OVERVIEW:

This bulletin involves installing a vacuum check valve in the Heater A/C vacuum supply line.

NOTE: THIS BULLETIN APPLIES TO VEHICLES EQUIPPED WITH MANUAL HEATING & A/C SYSTEMS.

SYMPTOM/CONDITION:

The heater A/C system may default to the defrost mode when accelerating. This will most likely happen in heavy throttle situations such as trailer towing or accelerating up steep grades.

DIAGNOSIS:

If customers complain of this condition, perform the Repair Procedure.

PARTS REQUIRED:

Qty	Part No.	Description
1	04677204	Check valve
AR	NPN	Vacuum hose

REPAIR PROCEDURE:

THIS REPAIR IS COMPATIBLE WITH DAIMLERCHRYSLER'S MOBILE SERVICE PROGRAM AND DOES NOT REQUIRE HOISTS OR OTHER FULL SERVICE FACILITY SPECIAL EQUIPMENT.
--

1. Open the hood and locate the heater A/C system vacuum supply line (See [Figure 1](#)).
2. Disconnect the vacuum line from the tee. Determine the direction of flow through the check valve. Install the check valve, p/n 04677204, between the tee and the line, making sure that vacuum will flow in the direction of the vacuum source.

POLICY:

Reimbursable within the provisions of the warranty.

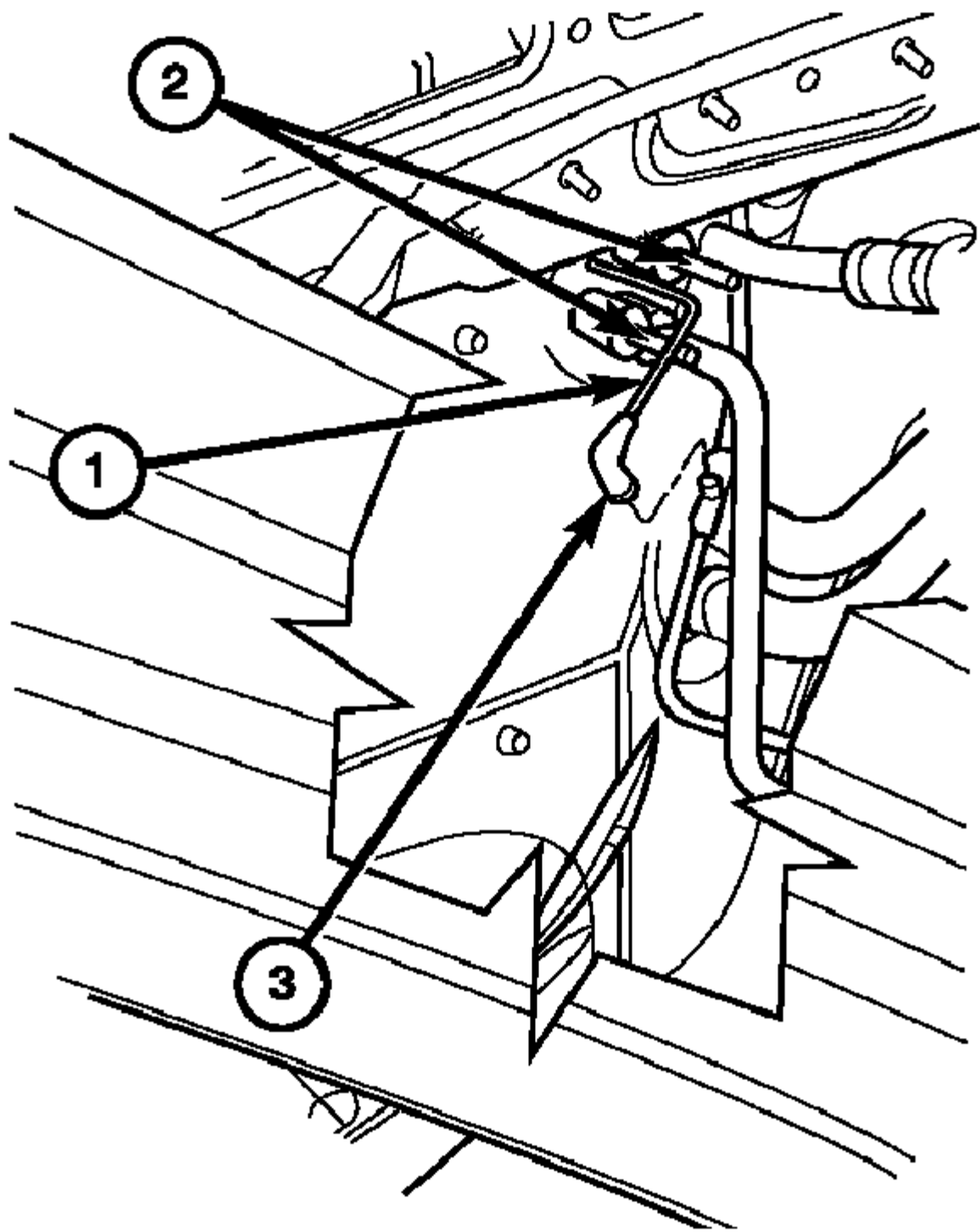
TIME ALLOWANCE:

Labor Op. No.	Time

24-50-47-93	0.2 Hrs.
-------------	----------

FAILURE CODE:

Code	Description
P8	New Part



- 1 - Heater A/C System Vacuum Supply Line**
- 2 - A/C Hoses**
- 3 - Install Check Valve Here**

FIGURE 1