

**NO: 24-07-99**

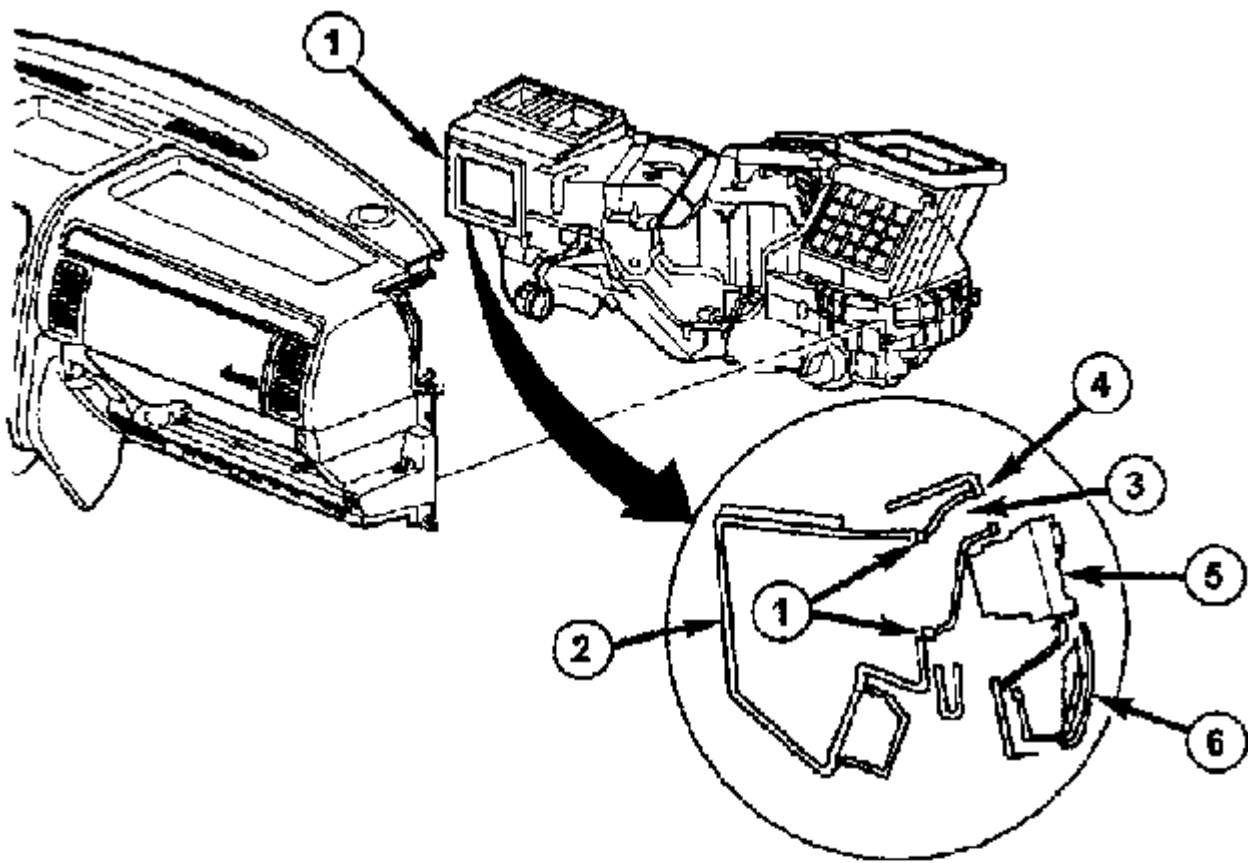
**SUBJECT: Reduced Airflow From Center Outlets**

**DATE: April 30, 1999**

**DISCUSSION:**

The heater A/C housing on these vehicles is sealed with a foam seal at the instrument panel (See [Figure 1](#)). This seal can become loose or be out of position. If this occurs, an air leak will be present in this location. This will result in reduce airflow from the center ducts. If customers complain of reduced airflow from these outlets, be sure to check this seal. This can be accomplished by removing the center outlets and reaching into the opening with your hand. This seal can usually be repositioned without disassembly of the instrument panel.

**POLICY: Information Only**



1. Foam Seal
2. Heater A/C Housing
3. Center Outlet
4. Instrument Panel
5. Ash Receiver

**Figure 1**