

# Technical Service Bulletin

**NUMBER:** 23-30-00

**GROUP:** Body

**DATE:** Aug. 4, 2000

*This bulletin is supplied as technical information only and is not an authorization for repair. No part of this publication may be reproduced, stored in a retrieval system, or transmitted, in any form or by any means, electronic, mechanical, photocopying, recording, or otherwise, without written permission of DaimlerChrysler Corporation.*

**SUBJECT:**

Front seat belts may be slow to retract.

**OVERVIEW:**

This bulletin involves installing a shield to cover the B pillar wire harness and isolate it from the seat belt webbing.

**MODELS:**

1999 - 2000 (WJ) Grand Cherokee

**SYMPTOM/CONDITION:**

The seat belt webbing may come in contact with the wire harness causing the belt to retract slowly.

**DIAGNOSIS:**

Remove the seat belt access cover from the B Pillar trim panel and inspect the seat belt for contact with the wire harness (See Figure 1). If contact is evident, perform the Repair Procedure.

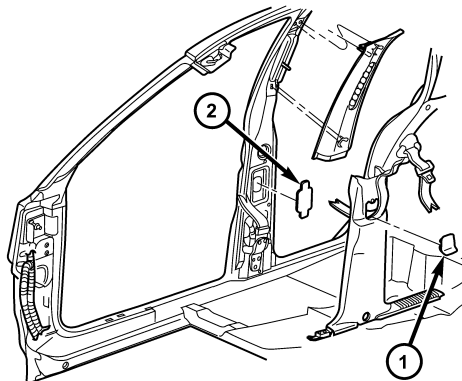
**PARTS REQUIRED:**

1 55116545AB Shield

**REPAIR PROCEDURE:**

**THIS REPAIR IS COMPATIBLE WITH DAIMLERCHRYSLER'S MOBILE SERVICE PROGRAM AND DOES NOT REQUIRE HOISTS OR OTHER FULL SERVICE FACILITY SPECIAL EQUIPMENT.**

1. Remove the B Pillar trim panel (See Figure 1).



80c64871

1. Access Cover
2. Shield

**FIGURE 1**

2. Install the shield, p/n 55116545AB, into the opening by inserting the tabs one at a time.
3. Install the trim panel

**POLICY:** Reimbursable within the provisions of the warranty.

**TIME ALLOWANCE:**

Labor Operation No: 23-13-02-93 .....0.4 Hrs.

**FAILURE CODE:** P8 - New Part