

Technical Service Bulletin

NUMBER: 08-016-01

GROUP: Electrical

DATE: Aug. 3, 2001

This bulletin is supplied as technical information only and is not an authorization for repair. No part of this publication may be reproduced, stored in a retrieval system, or transmitted, in any form or by any means, electronic, mechanical, photocopying, recording, or otherwise, without written permission of DaimlerChrysler Corporation.

SUBJECT:

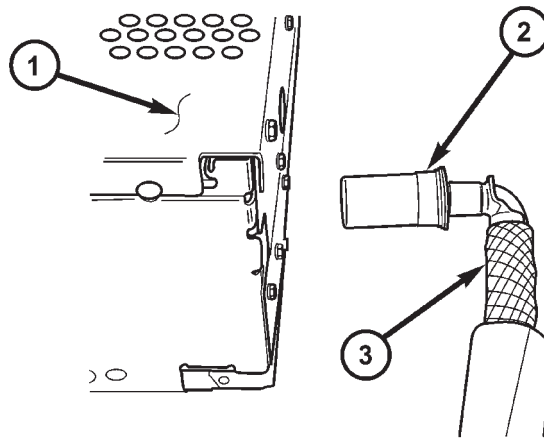
Locking Radio Antenna Connector

MODELS:

2002 AB	Ram Van/Wagon
2002 AN/AN84	Dakota
2002 BR/BE	Ram Truck
2002 DN	Durango
2002 DR	Ram Truck
2002 JR	Sebring/Stratus
2002 KJ	Liberty
2002 LH	Concorde/Intrepid/LHS/300M
2002 PL/PG	Neon
2002 PR	Prowler
2002 PT	PT Cruiser
2002 RS/RG	Town & Countr/Caravan/ Voyager
2002 SR	Viper
2002 ST	Sebring/ Stratus
2002 TJ	Wrangler
2002 WJ/WG	Grand Cherokee

DISCUSSION:

All 2002 vehicles equipped with radios will have a new locking radio antenna connector.(Figure 1) This connector will require that a sliding plastic collar be pulled away from the radio, similar to an air hose connector, to release the lock. Pulling the antenna straight out of the radio without activating the release could damage the antenna or the radio.



80c910dd

FIGURE 1 - ANTENNA TO RADIO

1-	RADIO
2-	LOCKING ANTENNA CONNECTOR
3-	ANTENNA CABLE

POLICY:
Information Only