



NUMBER: 03-003-02 REV. A

GROUP: Rear Axle

DATE: October 28, 2002

This bulletin is supplied as technical information only and is not an authorization for repair. No part of this publication may be reproduced, stored in a retrieval system, or transmitted, in any form or by any means, electronic, mechanical, photocopying, or otherwise, without written permission of DaimlerChrysler Corporation.

THIS BULLETIN SUPERSEDES TECHNICAL SERVICE BULLETIN 03-003-02 DATED AUGUST 12, 2002, WHICH SHOULD BE REMOVED FROM YOUR FILES. ALL REVISIONS ARE HIGHLIGHTED WITH **ASTERISKS**** AND INCLUDES A REVISED PART NUMBER.**

SUBJECT:

Rear Axle Whine Sound

OVERVIEW:

This bulletin involves installation of a new rear propeller shaft with a damper on the front yoke.

MODELS:

1999-2001 (WG/WJ) Jeep Grand Cherokee

NOTE: THIS BULLETIN APPLIES TO 1999-2001 4WD (WG/WJ) JEEP GRAND CHEROKEES EQUIPPED WITH THE 4.0L ENGINE AND EITHER THE NV242 OR NV247 TRANSFER CASE.

SYMPTOM/CONDITION:

Customer may complain of a high-pitched sound coming from the rear of the vehicle between 55 and 70 MPH (88 - 112 KPH)

DIAGNOSIS:

If the customer complains of the condition, and the damper is not present, perform the repair.

NOTE: IT IS POSSIBLE THAT SOME VERY LATE 2001 VEHICLES WILL HAVE THE DAMPER IN PLACE.

PARTS REQUIRED:

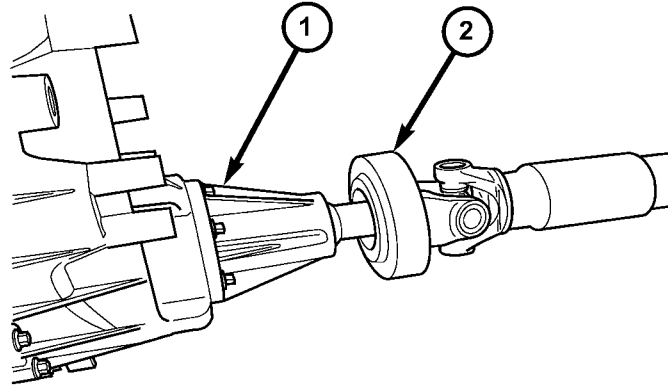
Qty.	Part No.	Description
AR	**52099485AF**	Propeller shaft (NV247 w/M35 Rear Axle)
AR	52111483AC	Propeller shaft (NV247 w/M44 Rear Axle)
AR	52105530AD	Propeller shaft (NV242 w/M35 Rear Axle)
AR	52105901AB	Propeller shaft (NV242 w/M44 Rear Axle)

NOTE: 52099485AF IS TO BE USED EXCLUSIVELY FOR THIS SERVICE BULLETIN (WITH NV247 w/M35 REAR AXLE). USE 52099485AE FOR ALL OTHER PROPELLER SHAFT REPAIRS NOT RELATED TO THIS BULLETIN (WITH NV247 w/M35 REAR AXLE).

NOTE: THIS REPAIR DOES NOT REQUIRE DRAINING OR REMOVAL OF THE TRANSFER CASE OR DIFFERENTIAL.

REPAIR PROCEDURE:

Follow the removal and installation procedures in Section 3 of the appropriate service manual for the model year under "Propeller Shaft - Rear". Refer to (Fig. 1) below for the location of the damper.



8104e153

Fig. 1 DAMPER LOCATION

1 - REAR OF TRANSFER CASE

2 - DAMPER

POLICY:

Reimbursable within the provisions of the warranty.

TIME ALLOWANCE:

Labor Operation No:	Description	Amount
16-30-01-99	Propeller Shaft, Replace	0.3 Hrs.

FAILURE CODE:

P8	New Part
----	----------