

Dealer Service Instructions for:

Safety Recall F25 - Electric Radiator Fan

Models

2000 (WJ) Jeep® Grand Cherokee

NOTE: This recall applies only to the above vehicles built from January 31, 2000 through June 12, 2000 (MDH 013100 through 061223).

2002 (WJ) Jeep® Grand Cherokee

NOTE: This recall applies only to the above vehicles equipped with a 4.0L engine ("S" in the 8th VIN Position) built from February 4, 2002 through June 17, 2002 (MDH 020406 through 061723).

IMPORTANT: Those vehicles that have already had a new electric radiator fan replaced, as determined by our warranty records, have been excluded from this recall.

IMPORTANT: Some of the involved vehicles may be in dealer used vehicle inventory. Dealers should complete this recall service on these vehicles before retail delivery. Dealers should also perform this recall on vehicles in for service. Involved vehicles can be determined by using the VIP inquiry process.

Subject

The plastic fan blades of the electric radiator fan on about 182,800 of the above vehicles may fracture and separate. This can damage the radiator and/or cause the engine to overheat. If a fan blade separates while the hood is open, those nearby could become injured.

Repair

The electric radiator fan must be replaced.

Parts Information

<u>Part Number</u>	<u>Description</u>
CBG4F250	Electric Radiator Fan

Each dealer to whom vehicles in the recall were assigned will receive enough electric radiator fans to service about 5% of those vehicles.

Service Procedure

A. Replace Electric Radiator Fan (4.0L Engine):

1. Disconnect the negative battery cable.

NOTE: To enhance customer satisfaction, remember to reset the clock when you have completed the service procedure.

2. Remove the radiator cap and drain about 1 quart of coolant from the radiator into a clean container for reuse later.
3. Disconnect the upper radiator hose from radiator end.
4. Disconnect the radiator fan electric connector from the wiring harness (Figure 1).
5. Remove the transmission cooling line from the retainer clip at the left side of the fan shroud.
6. Detach the radiator fan connector from the right side of the fan shroud.

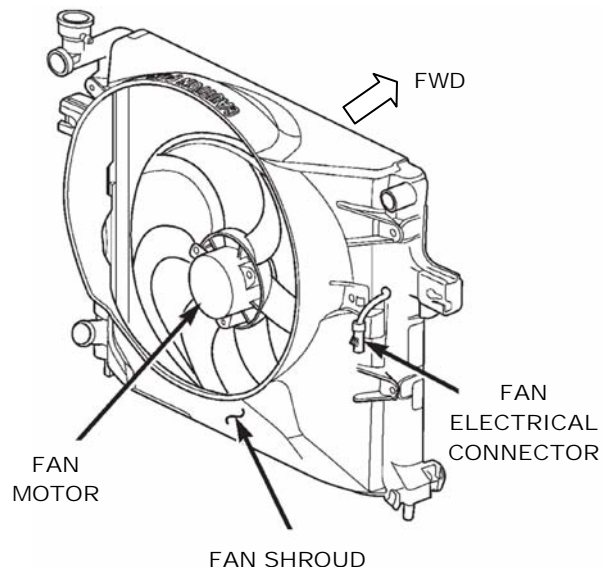


Figure 1

Service Procedure (Continued)

- Using Special Tool 6958 Spanner Wrench and 8346 Adapter, remove the viscous clutch engine fan assembly (if so equipped).

CAUTION: Viscous clutch nut has left handed threads.

NOTE: Do not lay the viscous clutch engine fan assembly in a horizontal position. Silicon fluid may leak out and damage the clutch.

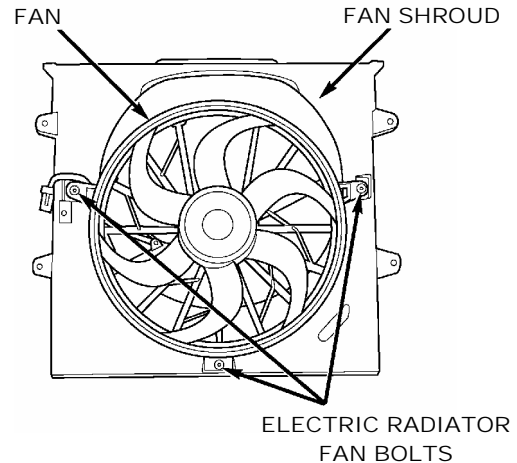


Figure 2

- Remove the four bolts attaching the fan shroud/electric radiator fan assembly to the radiator support collar.
- Remove the fan shroud/electric radiator fan assembly from the vehicle.
- Remove the three bolts attaching the electric radiator fan to the fan shroud. (Figure 2).
- Remove and discard the old electric radiator fan.
- Position the new electric radiator fan and install the three bolts holding the electric radiator fan to the shroud (Figure 2). Tighten the fasteners to 50 in. lbs. (6 N·m).
- Install the fan shroud/electric radiator fan assembly (Figure 1). Tighten the bolts to 50 in. lbs. (6 N·m).
- Attach the transmission line into the retainer clip located on the right side of the fan shroud.
- Attach the radiator fan electric connector to the left side of the fan shroud.

Service Procedure (Continued)

16. Install the viscous clutch engine fan (if so equipped) onto the water pump hand tight.

NOTE: The threads on the water pump are left handed. The viscous clutch engine fan will self tighten during normal engine operation.

17. Install the upper radiator hose and spring clamp.
18. Install the radiator cap to coolant recovery bottle hose.
19. Pour the engine coolant saved in step 3 into the radiator.
20. Install the radiator cap.
21. Connect the electric radiator fan connector to the wiring harness.
22. Connect the negative battery cable.
23. Start the engine to ensure that there are no coolant leaks and check the electric radiator fan for proper operation by turning the air conditioning on to maximum cooling.

Service Procedure (Continued)

B. Replace Electric Radiator Fan (4.7L Engine):

1. Disconnect the negative battery cable.

NOTE: To enhance customer satisfaction, remember to reset the clock when you have completed the service procedure.

2. Remove the radiator cap to the coolant recovery bottle hose.
3. Drain the coolant from the radiator into a clean container for reuse later.
4. Remove upper radiator hose.
5. Remove the front fascia.
6. Remove the bolts holding the hood latch assembly and the support braces from the upper radiator core support. Set the hood latch assembly aside.

NOTE: Do not remove the hood latch cable from the hood latch.

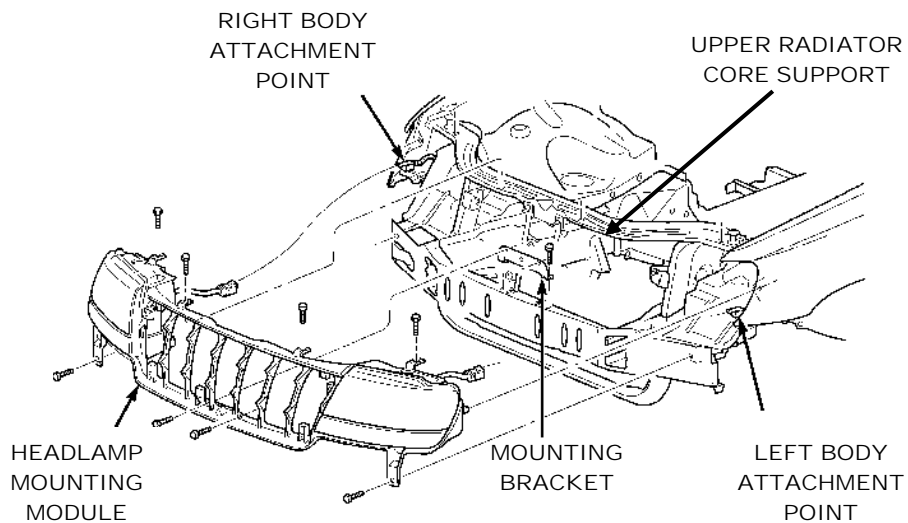
7. Disconnect the electrical connector for the electric radiator fan.
8. Detach the electric radiator fan electrical connector from right side of the shroud.
9. Disconnect transmission cooler line from retaining clip on the left side of the fan shroud.
10. Remove the fan shroud bolts.

NOTE: The lower left side mounting bolt can only be accessed from under vehicle.

11. Remove air cleaner inlet tube.

Service Procedure (Continued)

12. Remove the Headlamp Mounting Module (HMM) as follows (Figure 3):
 - a. Remove the right and left headlamp assembly.
 - b. Disconnect headlamp wire harness connectors.
 - c. Remove bolts attaching HMM to body.
 - d. Disengage the retainer attaching the HMM to each side of the body.
 - e. Remove the HMM.
13. Remove the upper radiator core support (Figure 3).
14. Remove the two upper radiator mounting bolts.

**Figure 3**

Service Procedure (Continued)

15. Gently pull the radiator toward front of the vehicle to provide clearance. Use Special Tool 6958 Spanner Wrench and 8346 Adapter to remove the viscous clutch fan from the water pump and set the viscous clutch fan aside.

CAUTION: Viscous clutch nut has left handed threads.

NOTE: Do not lay the viscous clutch engine fan assembly in a horizontal position. Silicon fluid may leak out and damage the clutch.

16. Gently pull the radiator toward front of the vehicle to provide clearance to remove the fan shroud/electric radiator fan assembly.
17. Remove the three bolts holding the electric radiator fan to the fan shroud (Figure 4). Discard the old electric radiator fan.
18. Install the new electric radiator fan into the shroud and tighten the three bolts to 50 in. lbs. (6 N·m) (Figure 4).
19. Gently pull the radiator towards the front of the vehicle to provide clearance and install the fan shroud/electric radiator fan assembly.
20. Gently pull the radiator towards the front of the vehicle to provide clearance and install the viscous clutch fan to the water pump hub and hand tighten.

NOTE: The threads on the water pump are left handed. The viscous clutch engine fan will self tighten during normal engine operation.

21. Install the two upper radiator mounting bolts and tighten to 90 in. lbs. (10 N·m).
22. Position the hood latch and cable near the hood latch support.
23. Install radiator core support and tighten the bolts to 90 in. lbs. (10 N·m) (Figure 3).

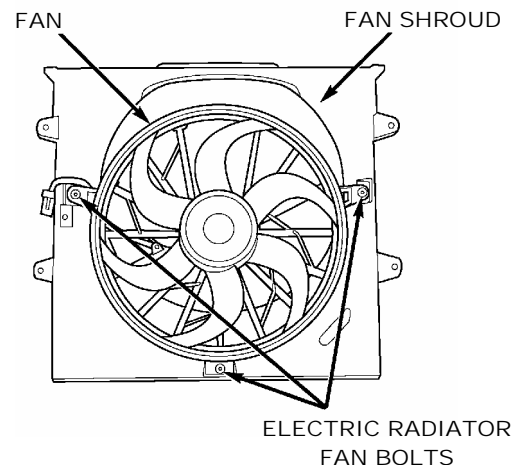


Figure 4

Service Procedure (Continued)

24. Install the HHM as follows:
 - a. Align the HHM to the attachment points.
 - b. Push the far ends of the HHM retainers into the right and left body attachment points and lock the fastener on the HHM (Figure 3).
 - c. Install and tighten the screws holding the HHM to the core support and body.
 - d. Install the light bulb sockets into the right and left headlamp assemblies.
 - e. Install the right and left headlamp assemblies into the HHM and tighten fastener.
25. Install air cleaner inlet tube.
26. Install the fan shroud and tighten the bolts to 50 in. lbs. (6 N·m).
27. Connect the transmission cooler line to the retaining clip on the fan shroud.
28. Connect the electric radiator fan electrical connector.
29. Attach the electric radiator fan electric connector to the right side of the fan shroud.
30. Install the front fascia as follows:
 - a. Align the fascia to the right and left fender clips.
 - b. Push the fascia and align the fascia to the HHM.
 - c. Install the screws and tighten.
 - d. Install the lower fascia push pin fasteners (replace as needed PN 55176248).

CAUTION: Use care not to scratch the paint on the fender or the fascia. Use tape if necessary.

31. Install hood latch and tighten bolts to 96 in. lbs. (11 N·m).

Service Procedure (Continued)

- 32. Install the upper radiator hose.
- 33. Pour the engine coolant saved in Step 3 into the radiator.
- 34. Install the radiator cap.
- 35. Connect the negative battery cable.
- 36. Start the engine to ensure that there are no coolant leaks and check the electric radiator fan for proper operation by turning the air conditioning on to maximum cooling.

Completion Reporting and Reimbursement

Claims for vehicles that have been serviced must be submitted on the DealerCONNECT Claim Entry Screen located on the Service tab. Claims submitted will be used by DaimlerChrysler to record recall service completions and provide dealer payments.

Use the following labor operation numbers and time allowances:

	Labor Operation Number	Time Allowance
Replace electric radiator fan w/o viscous clutch engine fan. (4.0L Engine)	07-F2-51-82	1.0 hours
Replace electric radiator fan (4.7L Engine)	07-F2-51-82	1.5 hours

Related Operation:

With viscous clutch engine fan (4.0L Engine)	07-F2-51-50	0.1 hours
--	-------------	-----------

Add the cost of the recall parts plus applicable dealer allowance to your claim.

NOTE: See the Warranty Administration Manual, Recall Claim Processing Section, for complete recall claim processing instructions.

Dealer Notification

All dealers will receive three copies of this dealer recall notification letter by mail. To view this notification on DealerCONNECT, select “Global Recall System” on the Service tab, then click on the description of this notification.

Owner Notification and Service Scheduling

All involved vehicle owners known to DaimlerChrysler are being notified of the service requirement by first class mail. They are requested to schedule appointments for this service with their dealers. A generic copy of the owner letter is attached.

Enclosed with each owner letter is an Owner Notification postcard to allow owners to update our records if applicable.

Vehicle Lists, Global Recall System, VIP and Dealer Follow Up

All involved vehicles have been entered into the DealerCONNECT Global Recall System (GRS) and Vehicle Information Plus (VIP) for dealer inquiry as needed.

GRS provides involved dealers with an updated VIN list of their incomplete vehicles. The owner’s name, address and phone number are listed if known. Completed vehicles are removed from GRS within several days of repair claim submission.

To use this system, click on the “**Service**” tab and then click on “**Global Recall System.**” Your dealer’s VIN list for each recall displayed can be sorted by: those vehicles that were unsold at recall launch, those with a phone number, city, zip code, or VIN sequence.

Dealers must perform this repair on all unsold vehicles before retail delivery. Dealers should also use the VIN list to follow up with all owners to schedule appointments for this repair.

Recall VIN lists may contain confidential, restricted owner name and address information that was obtained from the Department of Motor Vehicles of various states. Use of this information is permitted for this recall only and is strictly prohibited from all other use.

Additional Information

If you have any questions or need assistance in completing this action, please contact your Service and Parts District Manager.

Customer Services Field Operations
DaimlerChrysler Corporation

DAIMLERCHRYSLER

SAFETY RECALL F25 – ELECTRIC RADIATOR FAN

Dear: (Name)

This notice is sent to you in accordance with the requirements of the National Traffic and Motor Vehicle Safety Act. DaimlerChrysler Corporation has decided that a defect, which relates to motor vehicle safety, exists in some **2000 and 2002 model year Jeep® Grand Cherokee vehicles**.

The problem is... The plastic fan blades of the electric radiator fan on your vehicle (VIN: xxxxxxxxxxxxxxxxxxxx) may fracture and separate. This can damage the radiator and/or cause the engine to overheat. If a fan blade separates while the hood is open, those nearby could become injured.

What your dealer will do... DaimlerChrysler will repair your vehicle free of charge (parts and labor). To do this, your dealer will replace the electric radiator fan. The work will take about 1½ hours to complete. However, additional time may be necessary depending on how dealer appointments are scheduled and processed.

What you must do to ensure your safety... Simply **contact your dealer** right away to schedule a service appointment. Ask the dealer to hold the part for your vehicle or to order it before your appointment. **Remember to bring this letter with you to your dealer.**

If you need help... If you have questions or concerns which your dealer is unable to resolve, please contact DaimlerChrysler at 1-800-853-1403.

Please help us update our records, by filling out the attached prepaid postcard, if any of the conditions listed on the card apply to you or your vehicle.

If you have already experienced this condition and have paid to have it repaired, you may send your original receipts and/or other adequate proof of payment to the following address for reimbursement: DaimlerChrysler P.O. Box 4639 Oak Ridge, TN 37831, Attention: Reimbursement.

If your dealer fails or is unable to remedy this defect without charge and within a reasonable time, you may submit a written complaint to the Administrator, National Highway Traffic Safety Administration, 400 Seventh Street, S.W., Washington, DC 20590, or call the toll-free Vehicle Safety Hotline at 1-888-327-4236 (TTY 1-800-424-9153), or go to <http://www.safercar.gov>.

We're sorry for any inconvenience, but we are sincerely concerned about your safety. Thank you for your attention to this important matter.

Customer Services Field Operations
DaimlerChrysler Corporation
Notification Code F25

*Buckle up
for Safety!*

Note to lessors receiving this recall: Federal regulation requires that you forward this recall notice to the lessee within 10 days.