



Mopar

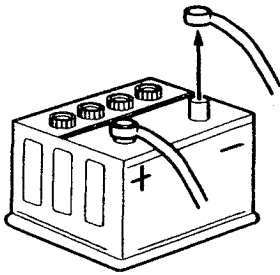
PARTS

© DAIMLERCHRYSLER

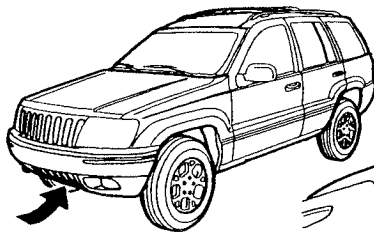
<p>A</p>	<p>B 5x</p>	<p>C</p>	
		<p>D</p>	<p>E 2x</p>
		<p>F</p>	<p>G 3x</p>

<p>H LH</p>	<p>I LH</p>	<p>J 4x</p>
<p>K RH</p>	<p>L RH</p>	<p>M 6x</p>

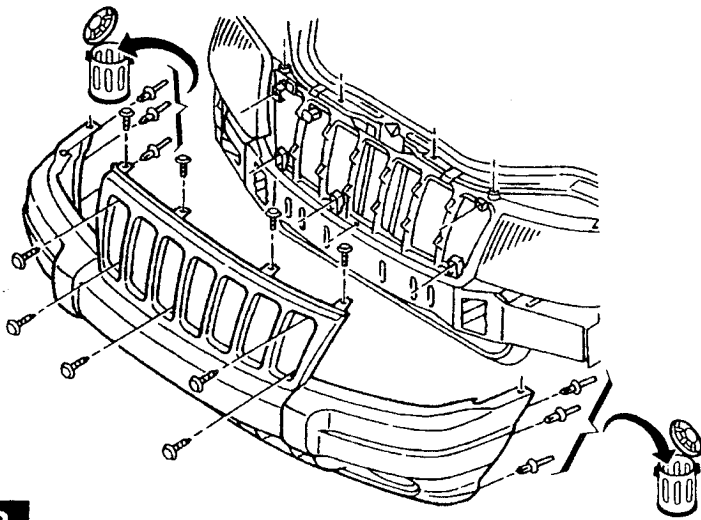
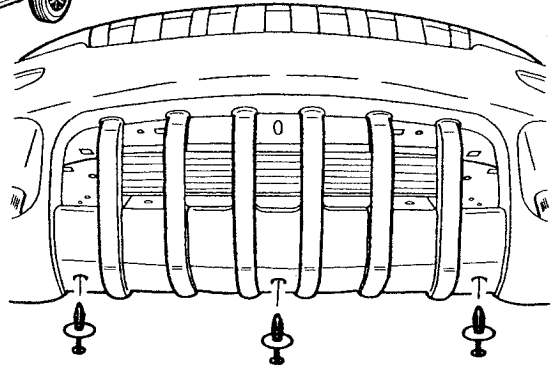
		<p>7mm 10mm</p>				<p>RTV SEALANT</p>
			<p>SAWDRILL</p>			



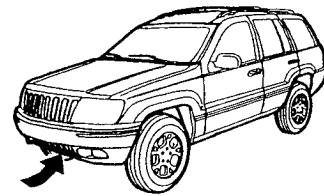
1



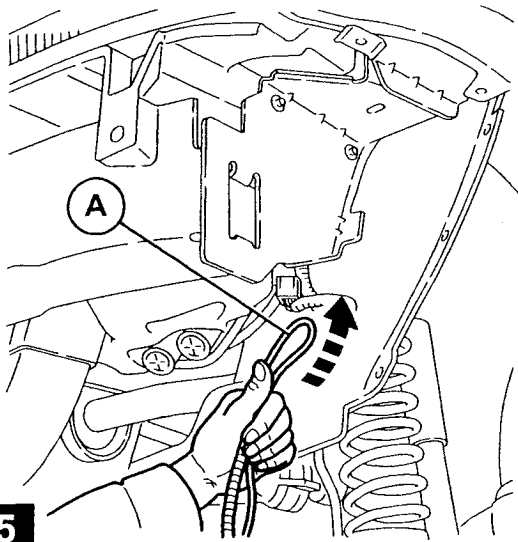
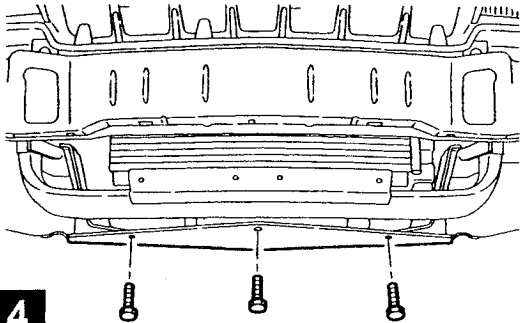
2



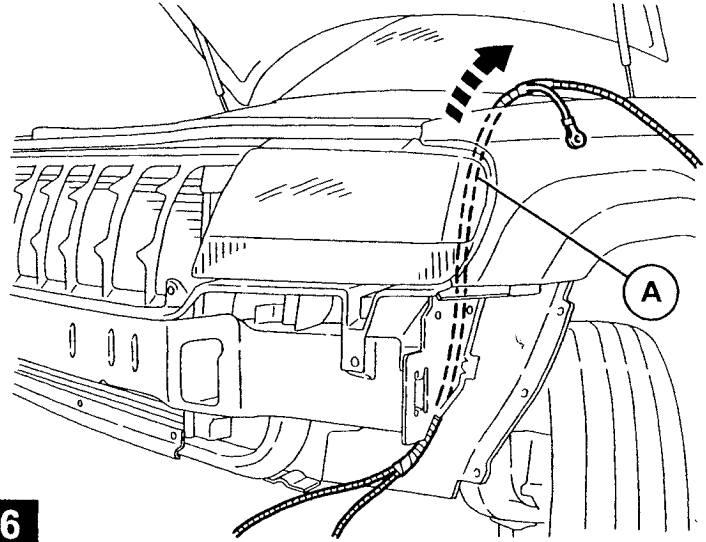
3



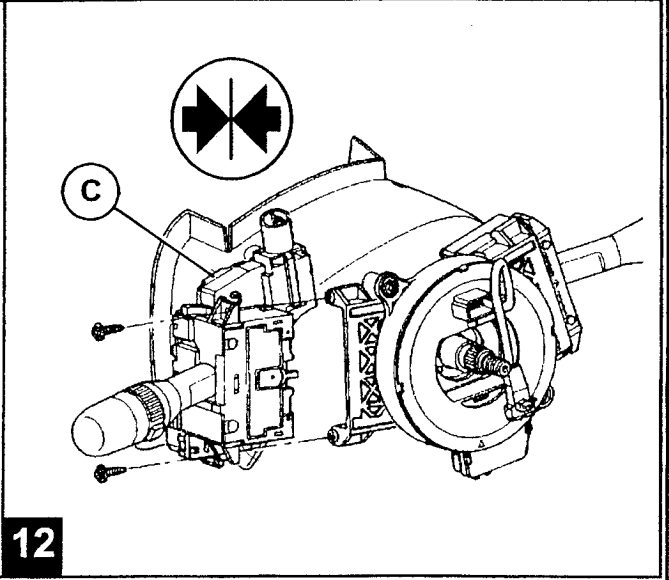
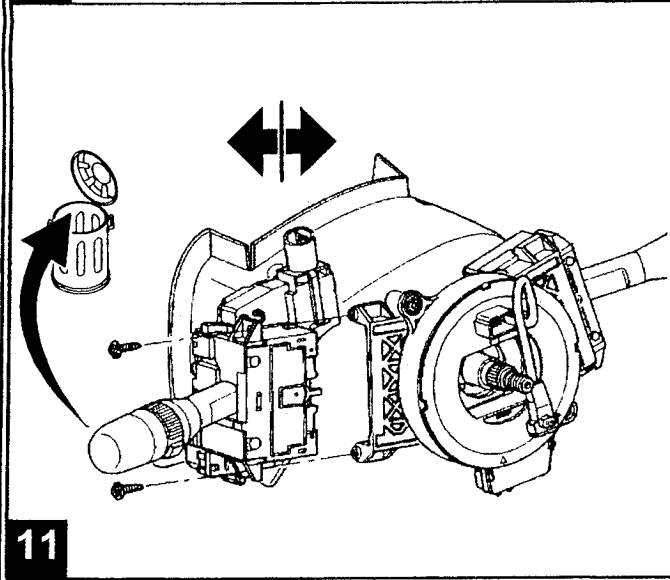
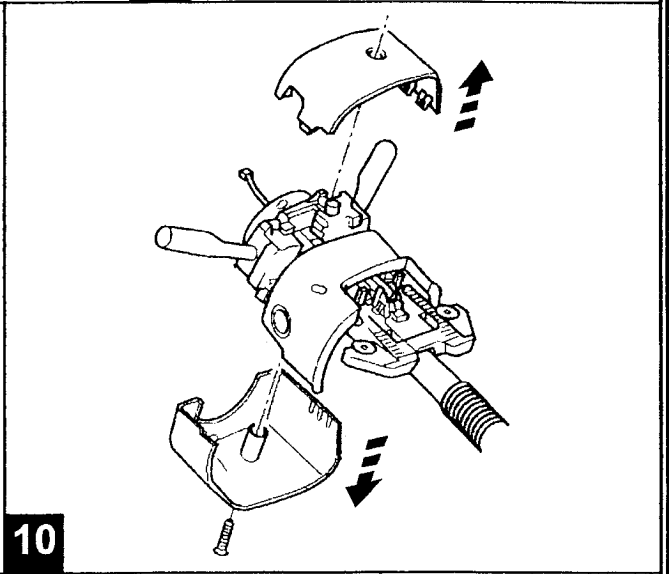
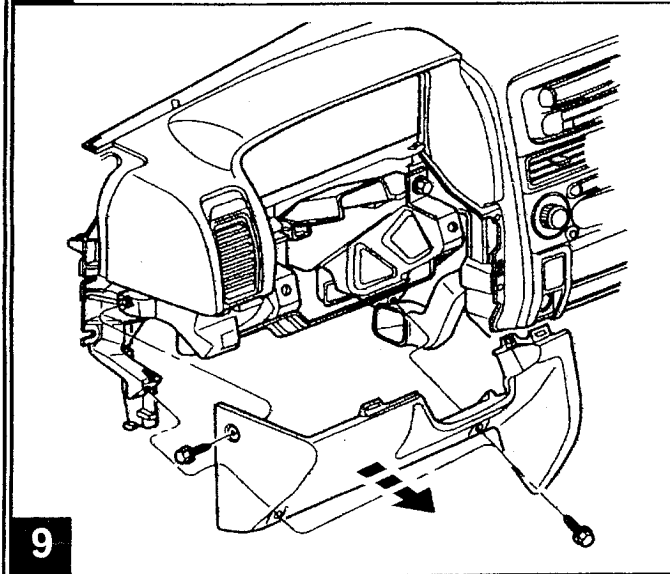
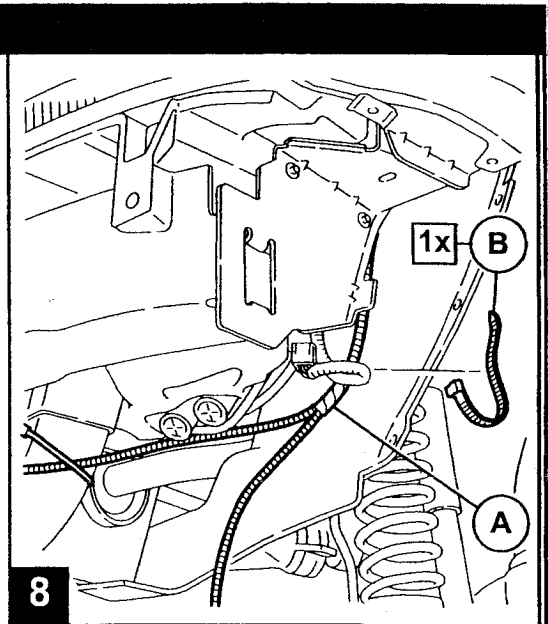
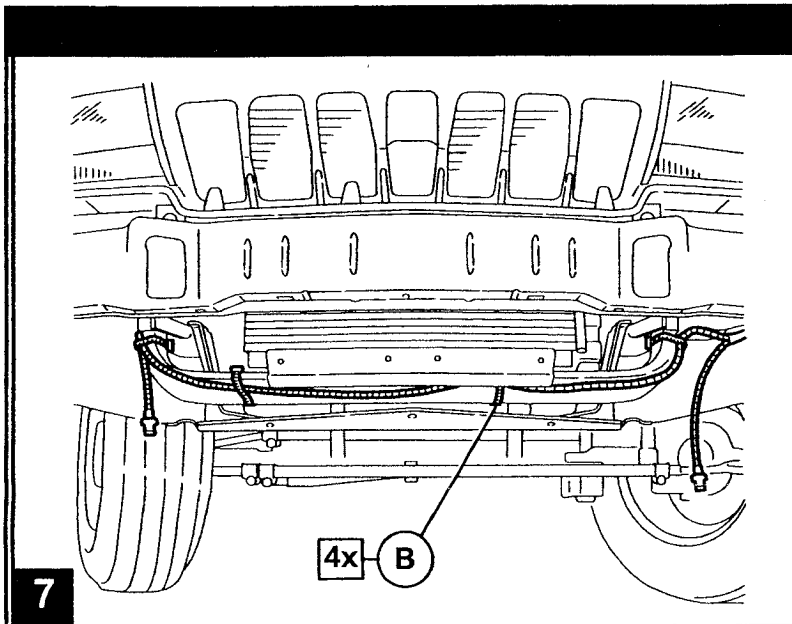
4

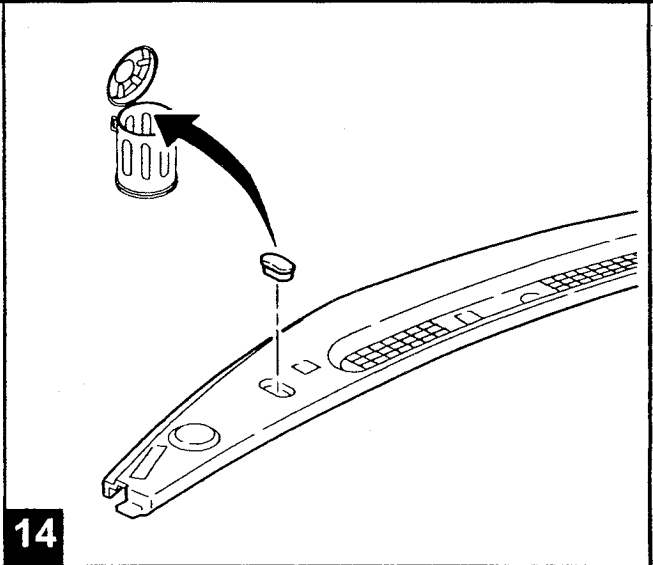
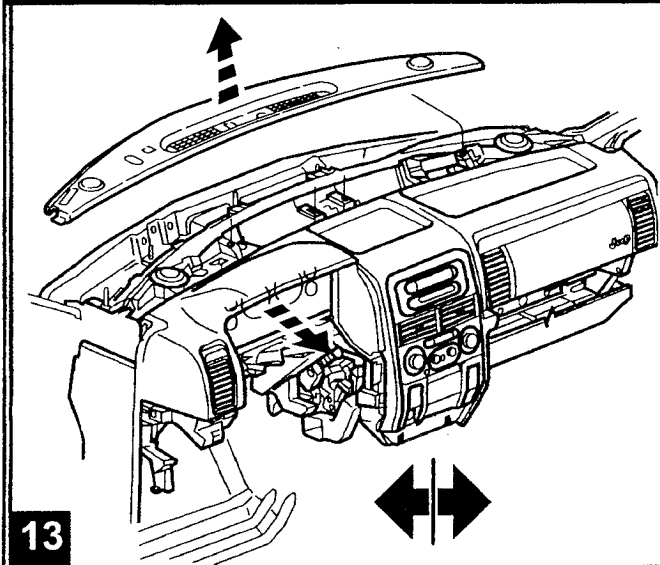


5



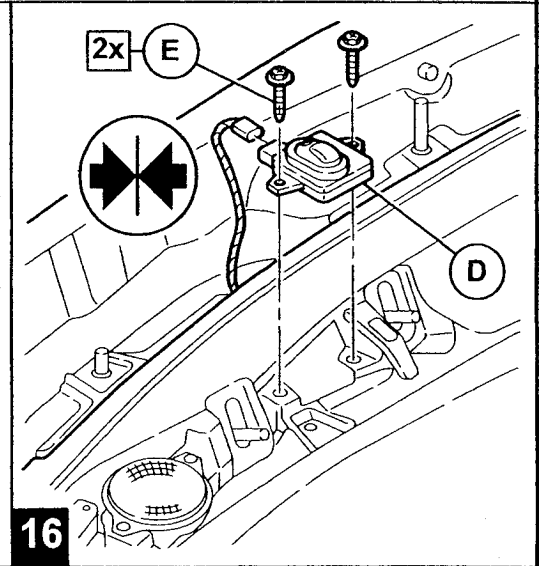
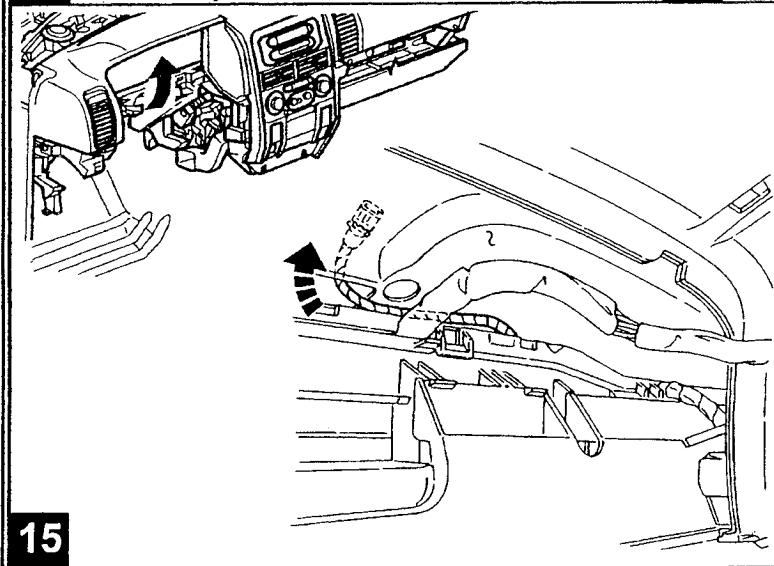
6





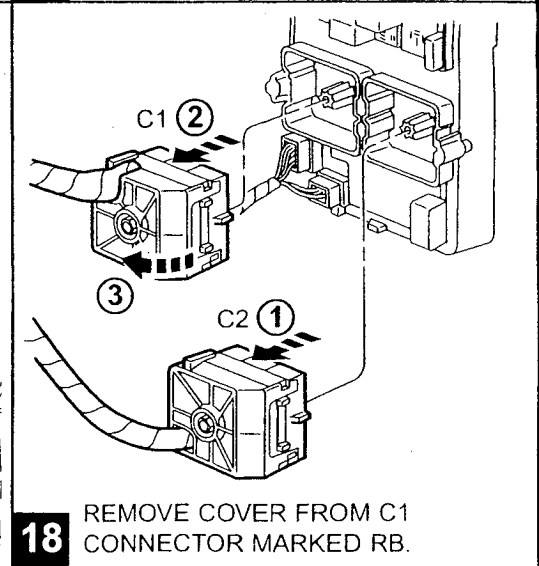
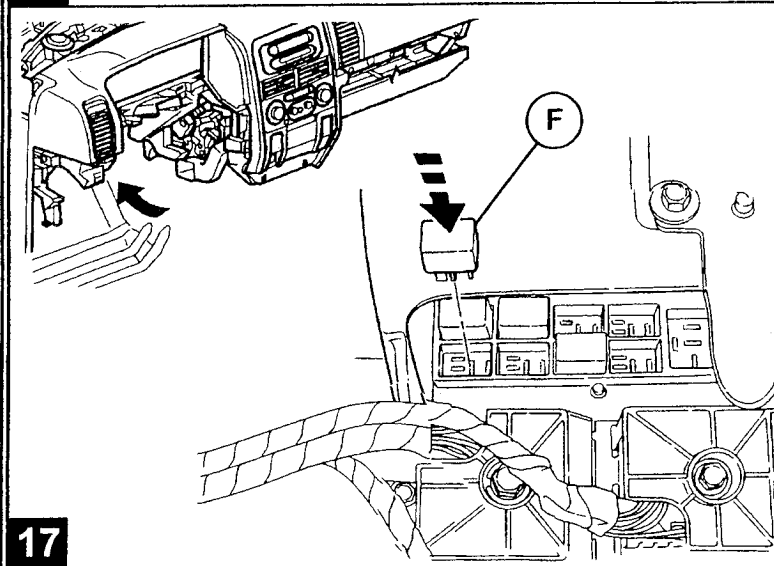
13

14



15

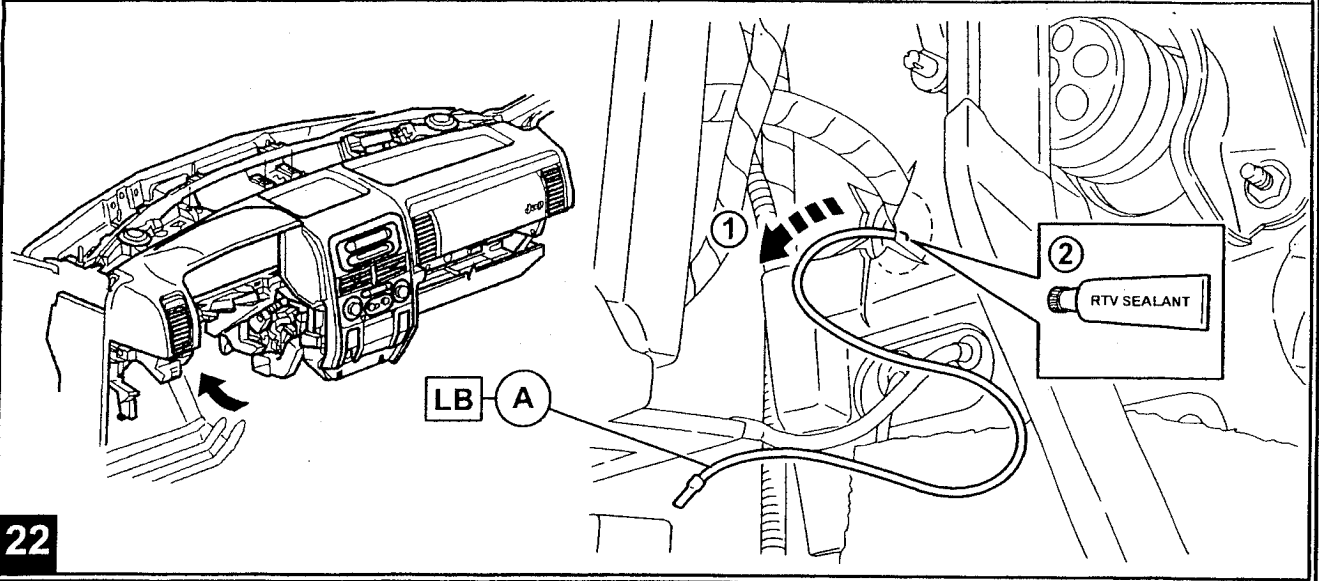
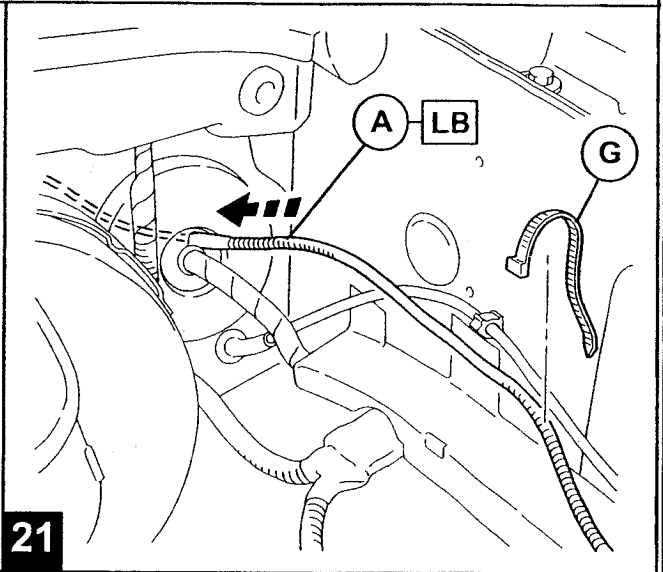
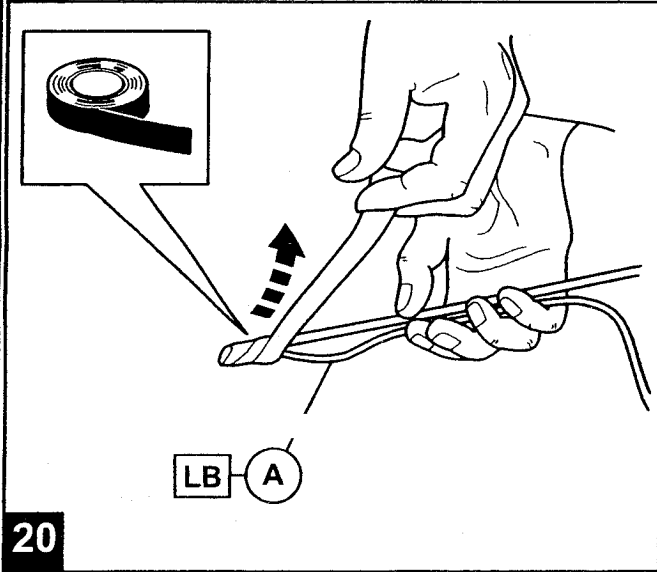
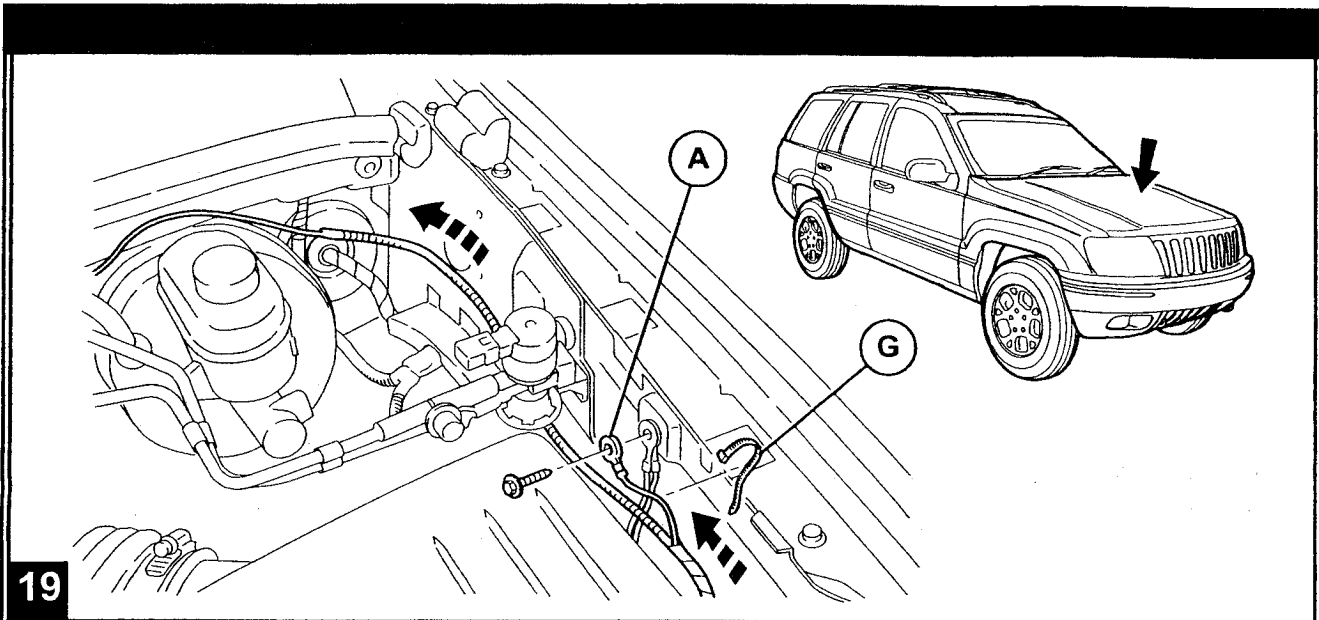
16

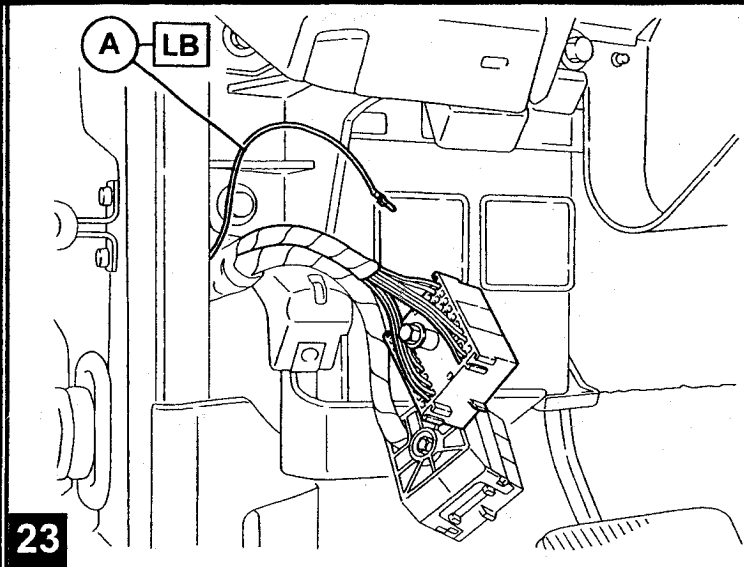


17

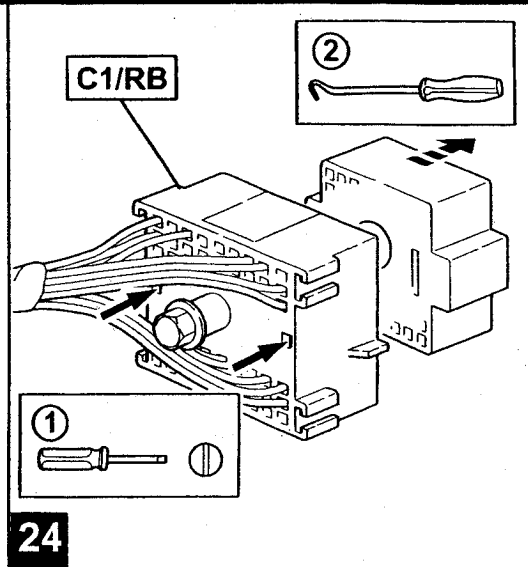
18

REMOVE COVER FROM C1
CONNECTOR MARKED RB.

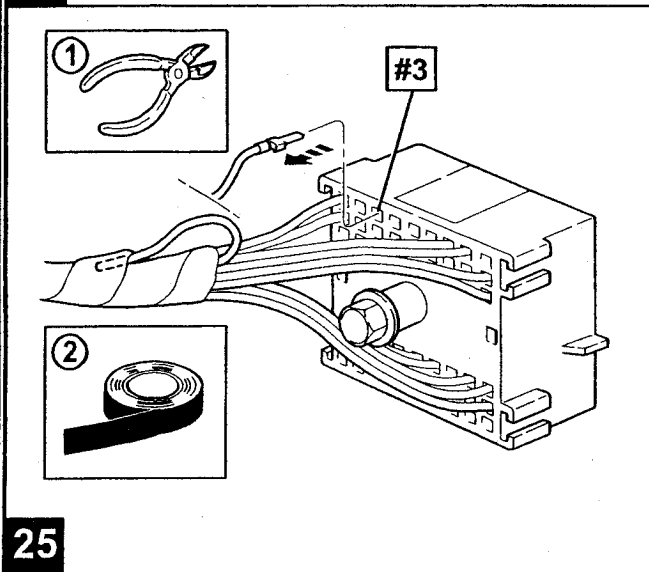




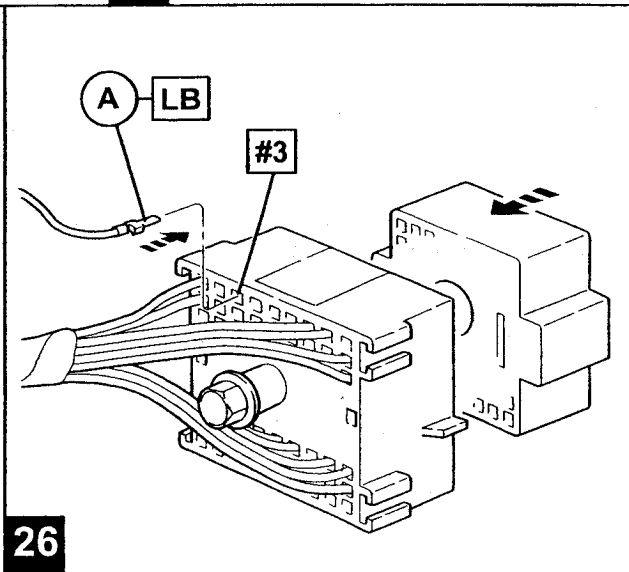
23



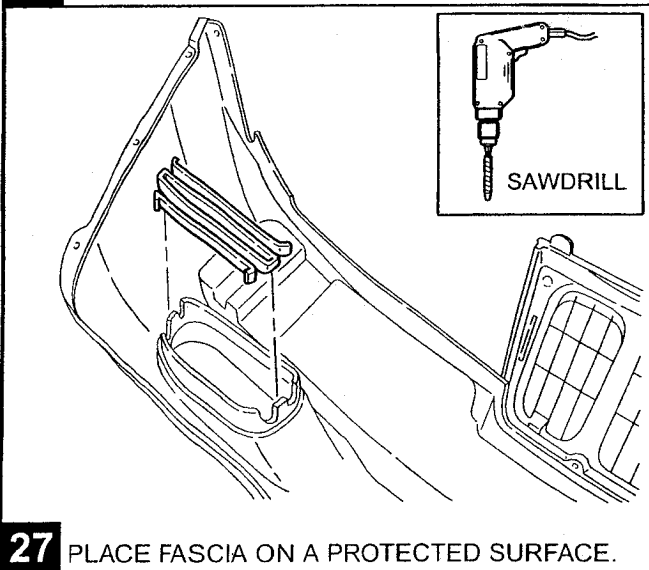
24



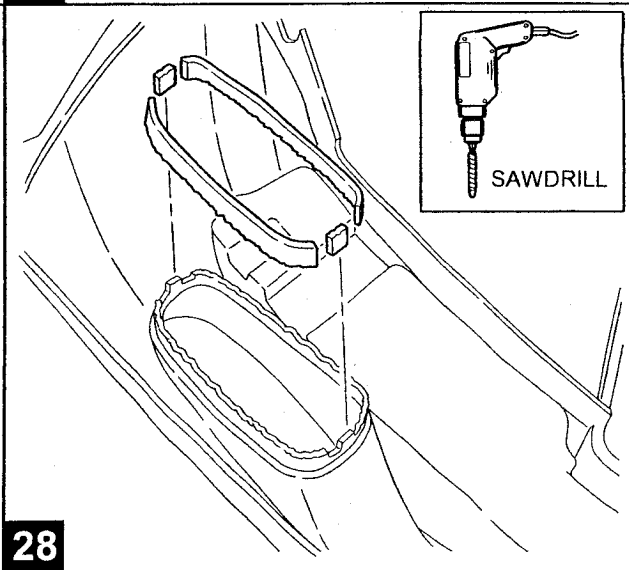
25



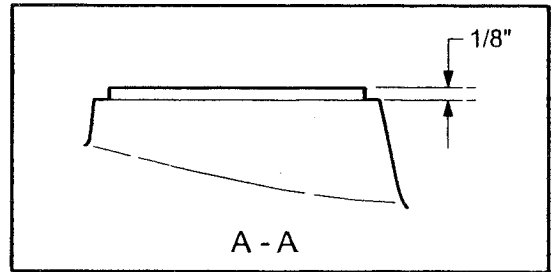
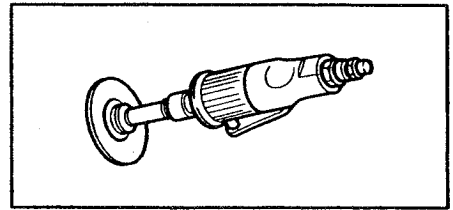
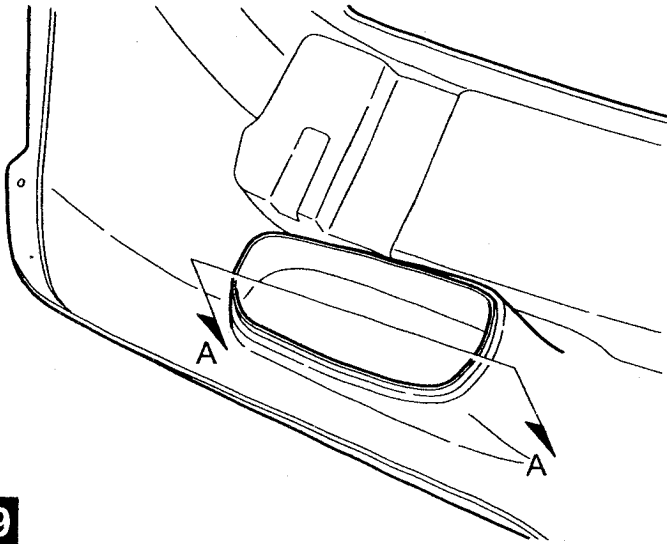
26



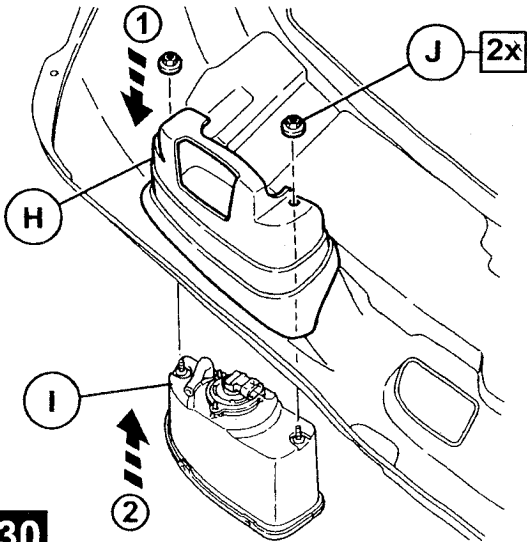
27 PLACE FASCIA ON A PROTECTED SURFACE.



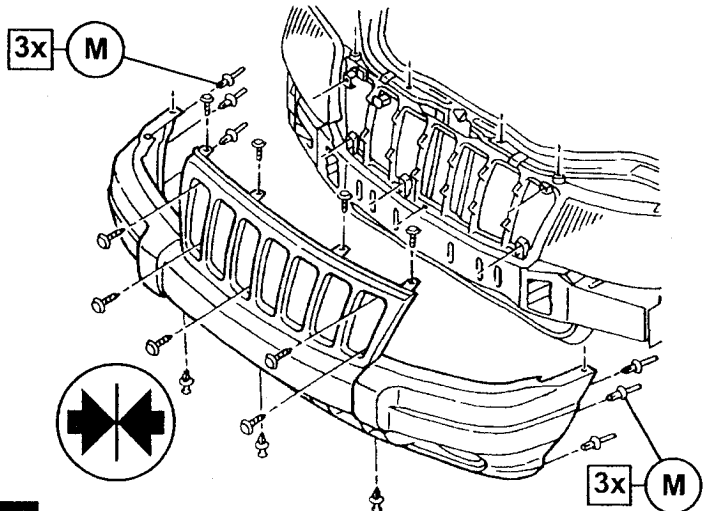
28



29

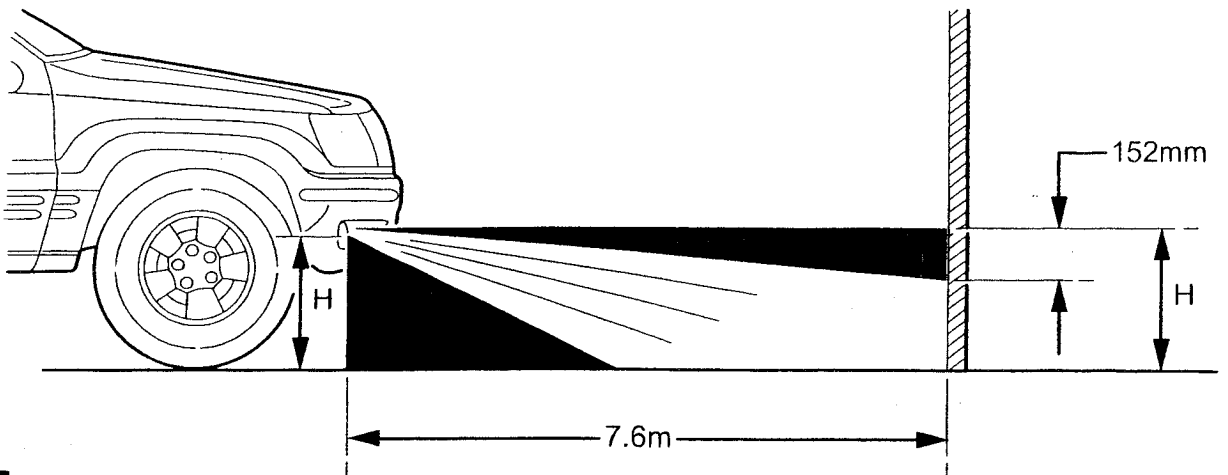


30



31

RE-INSTALL ALL SAVED PANELS AND FASTENERS.



32